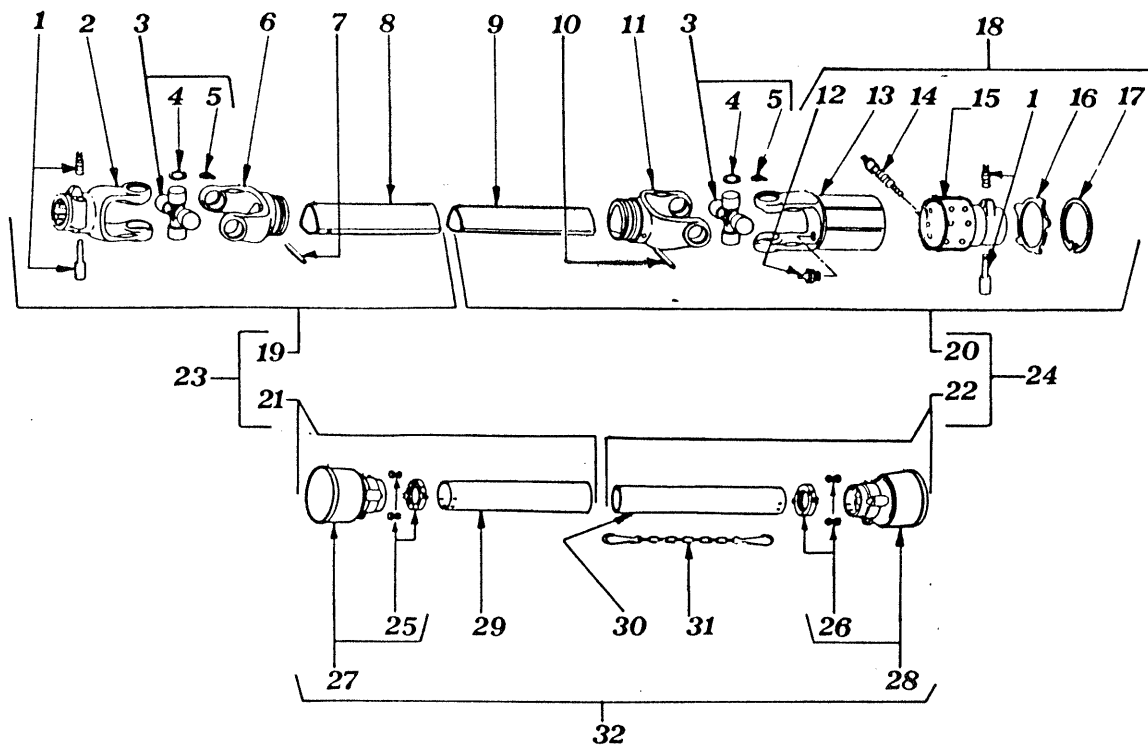


CARDAN SHAFT B2 140 E + LW2

PART NO.600.713

HM/300



CARDAN SHAFT 600.713				
ITEM	PART NO	Q.ty	DESCRIPTION	NOTE
1	610.057	2	COMPLETE PUSH BUTTON	
2	610.051	1	YOKE	
3	610.052	2	CROSS JOURNAL ASS.	
4	610.248	8	CIRCLIP	
5	610.206	2	GREASE NIPPLE	
6	610.249	1	OUTER TUBE YOKE	
7	610.211	1	FLEXIBLE PIN	
8	610.210	1	CM. CARDAN TUBE	
9	610.123	1	CM. CARDAN TUBE	
10	600.027	1	FLEXIBLE PIN	
11	610.250	1	INNER TUBE YOKE	
12	610.216	1	GREASE NIPPLE	
13	610.251	1	OUTER CASING WITH YOKE	
14	610.218	16	RATCHET TOOTH	
15	610.252	1	HUB	
16	610.220	1	REATING WASHER	
17	610.253	1	CIRCLIP	
18	610.146	1	TORQUE LW2	
19	610.472	1	HALF SHAFT (WITHOUT GUARD)	
20	610.473	1	HALF SHAFT (WITHOUT GUARD)	
21	610.481	1	HALF SAFETY GUARD	
22	610.482	1	HALF SAFETY GUARD	
23	610.479	1	HALF SHAFT (WITH GUARD)	
24	610.480	1	HALF SHAFT (WITH GUARD)	
25	610.060	1	O. BEARING	
26	610.061	1	I. BEARING	
27	610.062	1	O. BASIC CONE	
28	610.063	1	I. BASIC CONE	
29	610.470	1	CM. SAFETY TUBE	
30	610.471	1	CM. SAFETY TUBE	
31	610.068	1	CHaine	
32	610.483	1	SAFETY GUARD	